



**Pipe &
Industrial
Tools™**

JANUARY 2023

COMPLETE BROCHURE (OUTSIDE THE AMERICAS)

PIPE JACKS AND STANDS



MEGA ROLLERS AND STANDS



MATERIAL HANDLING EQUIPMENT





SPECIALIZED FABRICATION EQUIPMENT GROUP

Introduction to S.F.E. Group

S.F.E. Group was founded in 2019 after the merger of three world leading OEM's in the field of pipe fabrication tooling and machinery: B&B Pipe and Industrial Tools LLC (USA), Mathey Dearman Inc. (USA) and TAG Pipe Equipment Specialists (UK). Most recently the S.F.E Group has completed the acquisition of the AXXAIR Group (France).

S.F.E. Group offers a wide range of products and is continuously exploring new product design and development, as well as add-on acquisitions to enhance its portfolio and to fulfil increasing industries' demands.

With offices and warehousing on 4 continents, 120 employees and more than 250 partnerships and distributors worldwide, S.F.E. Group prides itself in consistently offering the highest standard of both product quality and service to all its customers.

S.F.E. Group looks forward to welcoming you into its global network as a partner, distributor or end user customer and remains at your disposal at any time.



UNITED STATES HEAD OFFICE - HOUSTON



INTERNATIONAL HEAD OFFICE - FRANCE

OUR BRANDS

 MATHEY DEARMAN Where There's Pipe, There's Mathey! PIPE FLAME CUTTING AND BEVELLING PIPE ALIGNMENT AND REFORMING CLAMPS PIPE RIGGING EQUIPMENT www.MATHEY.COM	 B&B Pipe & Industrial Tools The Pipe Fabricators Source PIPE JACK AND STANDS MEGA ROLLERS AND STANDS MATERIAL HANDLING EQUIPMENT www.BBPIPETOOLS.COM	 TAG PIPE EQUIPMENT SPECIALISTS World Leading Manufacturer of Pipe Beveling and Cutting Machines PIPE BEVELLING MACHINES PIPE COLD CUTTING MACHINES www.TAG-PIPE.COM	 AXXAIR Innovative Orbital Solutions ORBITAL CUTTING / BEVELLING AND FRACING ORBITAL WELDING www.AXXAIR.COM	 PPM PIPE PURGE MASTERS Purging Solutions for the perfect pipe weld! PIPE PURGING SYSTEMS PURGE OXYGEN MONITOR PIPE STOPPERS www.PURGEMASTERS.COM	 FIT-UP PRO By Mathey Dearman The Pipe Fitters Companion FIT-UP AND ALIGNMENT TOOLS LAYOUT AND MARKING TOOLS www.FIT-UP-PRO.COM
---	---	---	---	---	--



Pipe & Industrial Tools™

Introduction to B&B Pipe & Industrial Tools

The company B&B Pipe and Industrial Tools (B&B) was originally founded in Houston, Texas, USA in the 1990's, offering initially mainly the standard pipe rollers and applications, sold into petrochemical construction projects along the Texas Gulf Coast. Over the years B&B became an important player in the U.S. market.

With the merger in 2019 of B&B Pipe and Industrial Tools LLC (USA), Mathey Dearman Inc. (USA) and TAG Pipe Equipment Specialists (UK) and the recent addition in 2022 of AXXAIR (France) into Specialized Fabrication Equipment (S.F.E.) Group, the various product groups offered by the original manufacturers have been re-aligned and integrated into the overall S.F.E. Group product range whilst keeping their own brand identity.

Backed by nearly 30 years of development, today S.F.E. Group's B&B brand is dedicated to and covering pipe handling equipment, applications and solutions. With the B&B brand, S.F.E. Group not only wishes to highlight the focus on this particular product line, but also supply the growing demand and diverse applications in the industries that it already serves and intertwine with other product applications within S.F.E. Group.

As an OEM, S.F.E. Group prides itself being renowned for its innovations, ground-breaking developments and creative designs within the B&B product range. With its engineering capabilities, customer-oriented focus and flexibility, the B&B brand provides the possibility to design out-of-the-box pipe handling solutions to fulfil customers' projects' specific needs in particular and to cater for an ever-evolving industry in general.

The B&B brand portfolio consists of a comprehensive range of pipe purging equipment: **pipe jacks and stands**, **mega rollers and stands** and **material handling carts**.

B&B products are available from the international S.F.E. Group branches on 4 continents, as well as from S.F.E. Group's extensive and continuously expanding global network of partners and distributors.

Get in touch for any pipe handling application.

PIPE JACK AND STANDS



B&B's pipe jacks and stands are an industry standard with many units sold into the field. The jacks and stands help the pipe fabricator hold the pipe at a safe and ergonomic elevation, allowing increased productivity. Made from quality steel tube and pipe, the jacks and stands offer great value, balancing the ability to withstand the everyday abuse of job site use while being available at a very competitive price.

MEGA ROLLERS AND STANDS



B&B's mega rollers and jacks are a more robust, higher capacity line of material handling equipment than the standard line of jacks and stands. They allow increased pipe diameter capacity, as well as increased weight capacity. These mega rollers are built to last in the toughest of job site conditions.

MATERIAL HANDLING EQUIPMENT



B&B's carts and buggies consist of job site material handling carts. The Stacker Cart can be shipped and stacked on the way to the job site minimising handling and shipping costs, then fold open for use while in the field. The pipe buggy models are designed to easily transport pipes, fittings and other parts on the job site or workshop, minimising ergonomic exposure and manual handling.

TABLE OF CONTENTS

Introduction to S.F.E. Group.....	2
Introduction to B&B Pipe and Industrial Tools.....	3
B&B Pipe jacks and stands	5
Fixed and folding pipe jacks (tri pipe stands)	6
Fixed and folding pipe jacks head options	7
Duo pipe stand.....	8
Duo pipe stand options.....	9
5 Leg giant jack.....	10
5 Leg giant jack head options.....	11
Six-foot folding pipe jack.....	12
Roller stand (heavy duty)	13
Quick change rollers.....	13
Uno pipe jack stand.....	14
Tri-stand chain vice	14
B&B Mega rollers and stands.....	15
Mega rollers - 6,000 lbs. 3 US ton	16
Mega rollers - 10,000 lbs. 5 US ton	17
Mega rollers - 15,000 lbs. 7 US ton	18
B&B Material handling equipment	19
Pipe cart.....	20
Baby pipe buggy.....	21
Biggy pipe buggy.....	21



SPECIALIZED FABRICATION EQUIPMENT
GROUP

*Our group policy is one of continuous improvements and acquisitions.
Products and data tables are subject to change or vary from those illustrated.*

OUR BRANDS



PIPE JACKS AND STANDS



FIXED AND FOLDING PIPE JACKS (TRI PIPE STAND)

B&B Pipe & Industrial Tools - The pipe jacks and pipe stands are backed with over 25 years of manufacturing experience. All pipe jacks and pipe stands are rated with at least a 2:1 safety ratio that is 3rd party tested. We have made B&B pipe jacks the strongest, most durable products on the market. B&B also offers an extensive range of head options for any pipe fabrication application.

Specifications

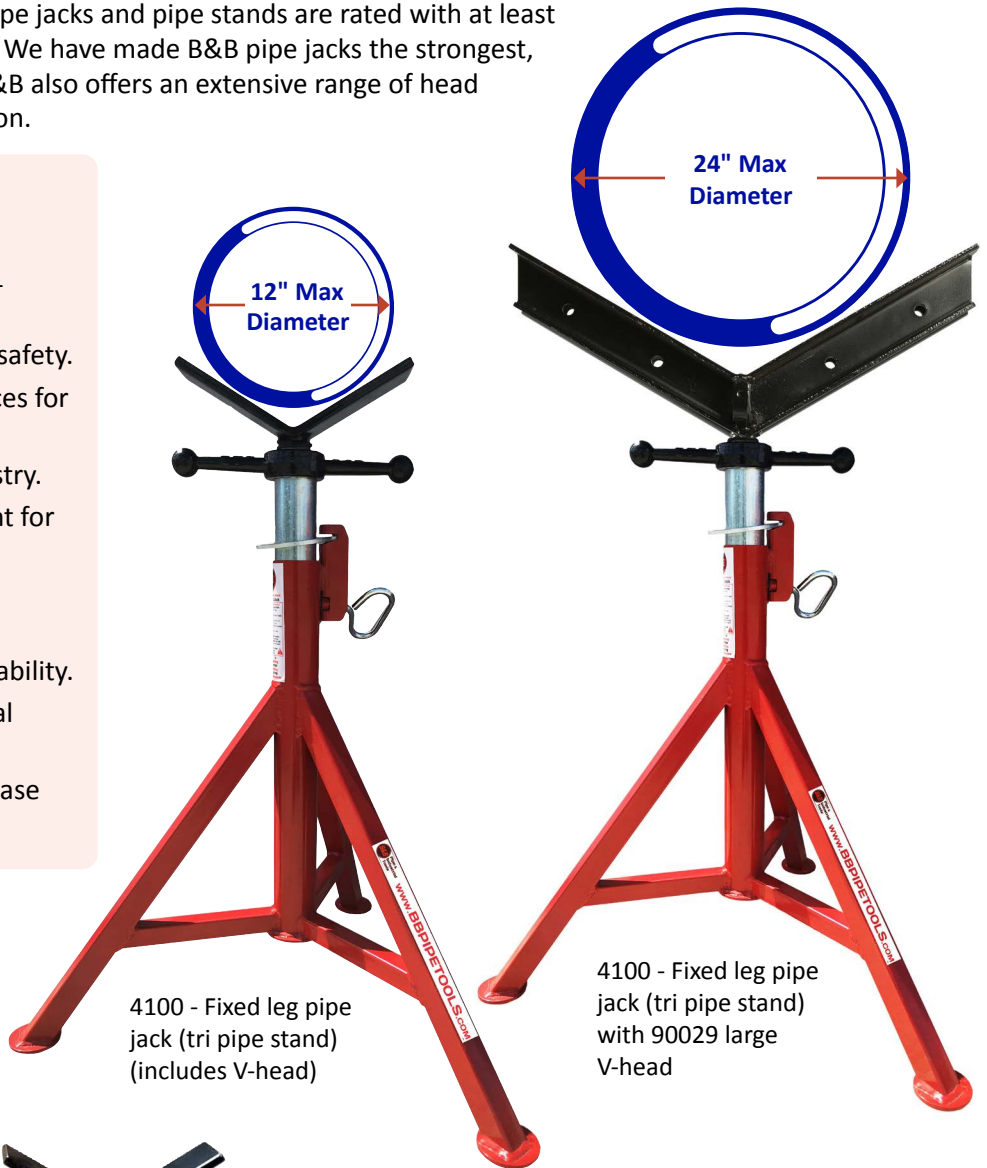
- 2,500lbs / 1,135 kg load capacity
- Third party tested with at least a 2:1 safety ratio.
- Oversized 10" V-head for increased safety.
- Oversized square tube legs and braces for increased durability.
- 1½" ACME rod is largest in the industry.
- Quick lock washer height adjustment for easy use.
- More head options than any other manufacturer.
- Increased width stance for better stability.
- Square tube bracing offers additional strength and rigidity.
- Safety washer can be locked on to base for increased operator safety.



3900 - Folding leg pipe jack (tri pipe stand) (includes V-head)



4100 - Fixed leg pipe jack (tri pipe stand) (includes V-head)




4100 - Fixed leg pipe jack (tri pipe stand) with 90029 large V-head




FIXED AND FOLDING PIPE JACKS HEAD OPTIONS

* Suitable for stainless steel


DESCRIPTION: Fixed leg pipe jack (tri pipe stand) (includes V-head)

OLD PART NO		NEW PART NO		
TPS300 + TVH300		4100		
LOAD CAPACITY		WEIGHT		PIPE SIZE
2,500 lbs.	1,135 kg	17 lbs.	7.60 kg	Up to 24"


DESCRIPTION: Folding leg pipe jack (tri pipe stand) (includes V-head)

OLD PART NO		NEW PART NO		
TFS301 + TVH300		3900		
LOAD CAPACITY		WEIGHT		PIPE SIZE
2,500 lbs.	1,135 kg	17 lbs.	7.60 kg	Up to 24"


DESCRIPTION: V-head

OLD PART NO		NEW PART NO		
TVH300		90001		
LOAD CAPACITY		WEIGHT		PIPE SIZE
2,500 lbs.	1,135 kg	7 lbs.	3.40 kg	Up to 12"

DESCRIPTION: Large V-head (see 5 leg giant jack for accessories)

OLD PART NO		NEW PART NO		
TVH300L		90029		
LOAD CAPACITY		WEIGHT		PIPE SIZE
2,500 lbs.	1,135 kg	17 lbs.	7.60 kg	Up to 24"

DESCRIPTION: Steel wheel heads (slip on style) (pair)
Stainless steel wheel heads (slip on style) (pair)

OLD PART NO		NEW PART NO		
SWH300		90060		
* SWH300SS		* 90061		
LOAD CAPACITY		WEIGHT		PIPE SIZE
1,000 lbs.	450 kg	7 lbs.	3.40 kg	1" to 12"


DESCRIPTION: Steel wheel roller head
Stainless steel wheel roller head

OLD PART NO		NEW PART NO		
SWH350		90002		
* SWH350SS		* 90005		
LOAD CAPACITY		WEIGHT		PIPE SIZE
2,000 lbs.	910 kg	11 lbs.	4.90 kg	1" to 24"

DESCRIPTION: Phenolic wheel roller head

OLD PART NO		NEW PART NO		
* NWH350		* 90003		
LOAD CAPACITY		WEIGHT		PIPE SIZE
1,000 lbs.	450 kg	7 lbs.	3.30 kg	1" to 24"

DESCRIPTION: Phenolic wheel heads (slip on style) (pair)

OLD PART NO		NEW PART NO		
* NWH300		* 90032		
LOAD CAPACITY		WEIGHT		PIPE SIZE
1,000 lbs.	450 kg	5 lbs.	2.00 kg	1" to 12"


DESCRIPTION: Stainless steel head (slip on style) (pair)

OLD PART NO		NEW PART NO		
* SSH300		* 90004		
LOAD CAPACITY		WEIGHT		PIPE SIZE
3,500 lbs.	1,585 kg	2 lbs.	1.00 kg	1" to 12"



DESCRIPTION: Stainless steel ball transfer heads (slip on style) (pair)

OLD PART NO		NEW PART NO		
* BTH300SS		* 90000		
LOAD CAPACITY		WEIGHT		PIPE SIZE
1,000 lbs.	450 kg	6 lbs.	2.50 kg	1" to 12"

DESCRIPTION: Pipe chain vice head

OLD PART NO		NEW PART NO		
PCV300		90033		
LOAD CAPACITY		WEIGHT		PIPE SIZE
550 lbs.	250 kg	14.3 lbs.	6.50 kg	0.5" to 6"

DESCRIPTION: Conveyor roller head

OLD PART NO		NEW PART NO			
RBH300		90019			
LOAD CAPACITY		WEIGHT		PIPE SIZE	
500 lbs.	250 kg	9 lbs.	4.25 kg	Up to 12"	

DUO PIPE STAND

Heavy duty four leg height adjustable, pin lock pipe stands

The B&B Duo pipe stand accommodates pipes up to 48", is height adjustable and equipped with quick change style heads.

The Duo pipe stand has locking brakes on the wheels to secure the load for marking, layout or fit-up and is now supplied with folding legs as standard for ease of use and transport and has an ultra safe pin locking design.

**NEW
IMPROVED
PIN LOCK
DESIGN**

Features and Advantages

- Load capacity 5,290 lbs. / 2,400 kg
- Folding legs for ease of transport and storage
- Self-centering head adjustment from either side
- Height adjustable 29 - 42.5" / 74.5 - 108 cm
- 2 - 48" / 51 - 1219 mm pipe diameter capacity
- Quick height adjustment with additional fine thread for workpiece levelling
- 'Trued' wheels eliminate 'corkscrewing' of pipe during rotation
- Lockable wheels to hold pipe in position
- Safety pins to lock stand at working height
- CE conformity certified with CE mark

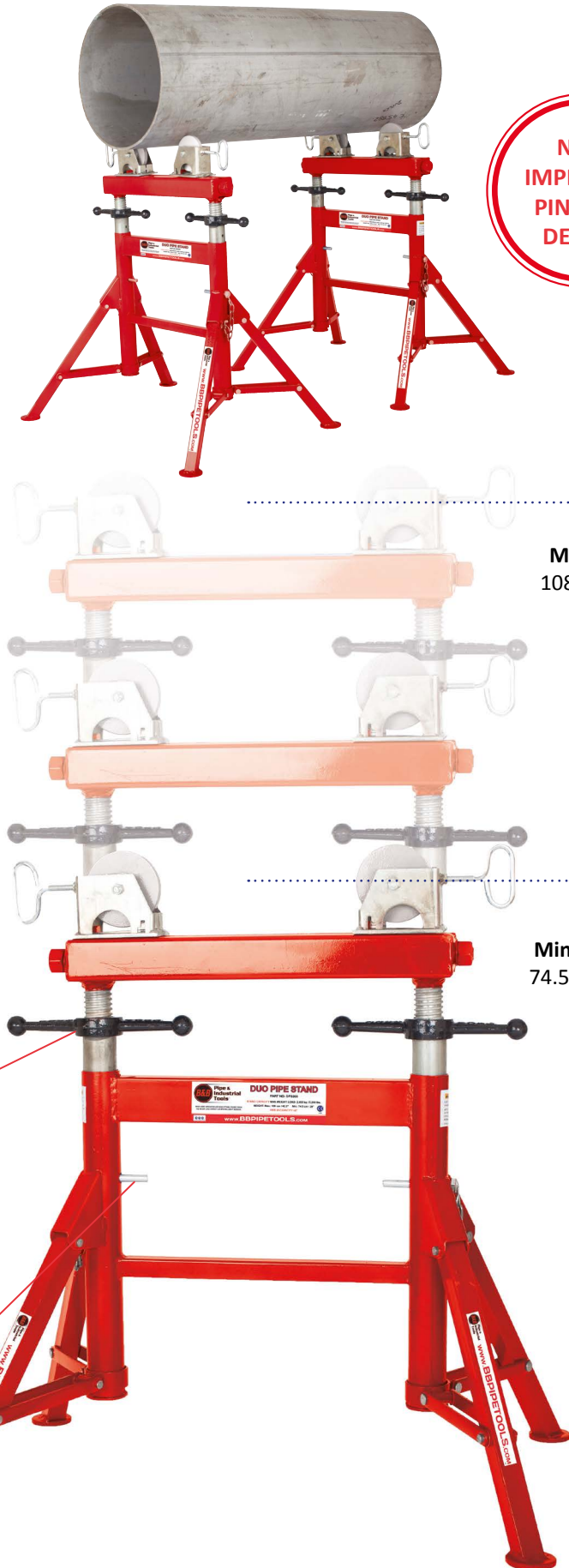
The Duo pipe stand utilises a fine adjustment thread. This allows precise adjustment of the working height and can compensate for uneven surfaces to ensure the pipe is level at all times.



The unique safety locking pins allow the Duo pipe stand to be fixed at various working heights.



Final adjustment and levelling can then be made with the fine adjustment handle.



Maximum:
108cm / 42.5"

Minimum:
74.5cm / 29"

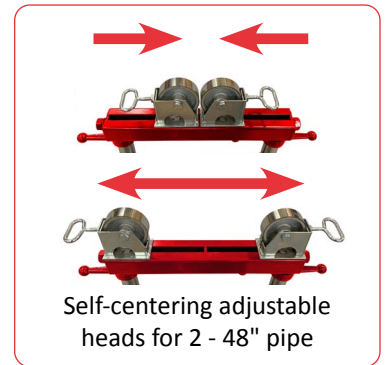
DUO PIPE STAND OPTIONS

The quick change style heads increase the versatility of the Duo pipe stand. The heads can be changed without tools in a matter of seconds to adapt to almost all applications. Roller wheels are available in steel, stainless steel or phenolic version. Ball transfer heads are available in steel or stainless steel.

Simple head changeover



Various height holes enable the operator to fix the stand at the required working height using the safety locking pins



DESCRIPTION: Duo pipe stand (base unit only)



OLD PART NO	NEW PART NO	LOAD CAPACITY	WEIGHT
DPS200	90039	5,290 lbs. 2,400 kg	43 lbs. 19.50 kg

DESCRIPTION: Quick change steel/stainless steel wheel heads (pair)



OLD PART NO	NEW PART NO	LOAD CAPACITY	WEIGHT
SWH200	90065	5,290 lbs. 2,400 kg	6 lbs. 3.00 kg
* SWH200SS	* 90066	5,290 lbs. 2,400 kg	6 lbs. 3.00 kg

DESCRIPTION: Quick change phenolic wheel heads (pair)



OLD PART NO	NEW PART NO	LOAD CAPACITY	WEIGHT
* NWH200	* 90067	1,000 lbs. 450 kg	5 lbs. 2.20 kg

DESCRIPTION: Quick change stainless steel ball transfer heads (pair)



OLD PART NO	NEW PART NO	LOAD CAPACITY	WEIGHT
* BTH200SS	* 90068	3,197 lbs. 1,450 kg	6 lbs. 3.00 kg

* Suitable for stainless steel

5 LEG GIANT JACK

The B&B 5 leg giant jack is ideal for large diameter pipes (up to 36" / 920 mm) and its V-head can be equipped with multiple options.

The 5 leg giant jack can be fitted with caster wheels, allowing pipe movement.

The 5 leg giant jack is characterised by its increased steel dimensions throughout, including 1 3/4" solid ACME rod, making it the toughest on the market.

Specifications

- Urethane over steel casters with solid hub increase safety and durability.
- 5,000 lbs. capacity without wheels and casters.
- 2,500 lbs. capacity with steel wheels and urethane casters.
- Operating height with swivel casters: 32" - 44" / 82 - 112 cm
- Operating height with jack only: 24" - 36" / 61 - 92 cm
- Minimum - maximum pipe diameter 1" - 36"
- Solid 1 3/4" ACME-thread adjustment.
- 1 1/2" wide steel / phenolic wheels to reduce instances of "pipe travel".
- Can be purchased as a complete kit as shown: jack, casters, and wheels.
- Turning wheels available in steel, stainless steel, and phenolic.
- Multiple add-ons available, including stainless steel sleeves for contamination free fit-up, recommended hold down chain device for transport, ball transfer attachments for variation of pipe movement and more.



Levelling pads supplied as standard



Hold down chain device 3506 locks pipe to jack



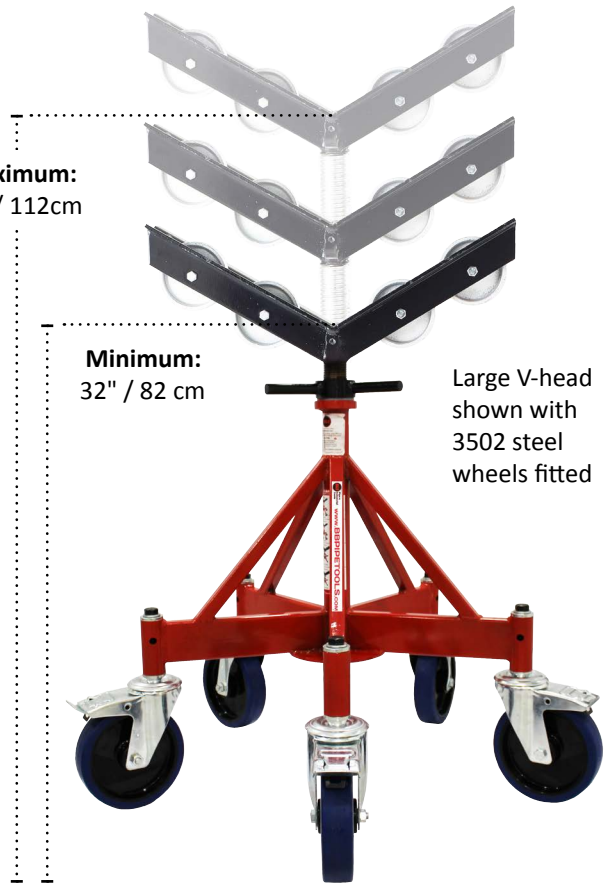
Maximum:
36" / 92 cm

Minimum:
24" / 61 cm

Maximum:
44" / 112cm

Minimum:
32" / 82 cm

Large V-head shown with 3502 steel wheels fitted



Transport pipes around the site or workshop with ease.



Shown with 3504 caster wheel kit fitted and 3506 hold down chain device

5 LEG GIANT JACK HEAD OPTIONS

** Suitable for stainless steel*

DESCRIPTION: 5 leg giant jack (base and V-head)

OLD PART NO		NEW PART NO		
QPS400 + QVH400		3500		
LOAD CAPACITY		WEIGHT		PIPE SIZE
5,000 lbs.	2,265 kg	80 lbs.	36.00 kg	n/a

DESCRIPTION: Steel wheel kit (4 wheels) - 1½" wide wheels

OLD PART NO		NEW PART NO		 V-head not included
SWH400		3502		
LOAD CAPACITY		WEIGHT		PIPE SIZE
2,500 lbs.	1,135 kg	12 lbs.	5.60 kg	1" to 36"

DESCRIPTION: Stainless steel wheel kit (4 wheels) - 1½" wide wheels

OLD PART NO		NEW PART NO		 V-head not included
* SWH400SS		* 3508		
LOAD CAPACITY		WEIGHT		PIPE SIZE
2,500 lbs.	1,135 kg	12 lbs.	5.60 kg	1" to 36"

DESCRIPTION: Phenolic wheel kit (4 wheels) - 1½" wide wheels

OLD PART NO		NEW PART NO		 V-head not included
* NWH400		* 3503		
LOAD CAPACITY		WEIGHT		PIPE SIZE
1,000 lbs.	450 kg	4.5 lbs.	2.00 kg	1" to 36"

DESCRIPTION: Ball transfer stainless steel (pair)

OLD PART NO		NEW PART NO		 V-head not included
* BTH400/SS		* 3509		
LOAD CAPACITY		WEIGHT		PIPE SIZE
1,000 lbs.	450 kg	7 lbs.	3.00 kg	1" to 36"

DESCRIPTION: Stainless steel sleeves (pair)

OLD PART NO		NEW PART NO		 V-head not included
* SSS400		* 3507		
LOAD CAPACITY		WEIGHT		PIPE SIZE
5,000 lbs.	2,265 kg	2 lbs.	1.00 kg	1" to 36"

DESCRIPTION: Hold down chain device

OLD PART NO		NEW PART NO		
HDD400		3506		
LOAD CAPACITY		WEIGHT		PIPE SIZE
n/a	n/a	16 lbs.	7.00 kg	1" to 36"

DESCRIPTION: Caster roller wheel kit for PN 3500 (5 casters)

OLD PART NO		NEW PART NO		
RWK400		3504		
LOAD CAPACITY		WEIGHT		PIPE SIZE
2,500 lbs.	1,135 kg	38 lbs.	17.00 kg	n/a

SIX-FOOT FOLDING PIPE JACK

Easy and safe for high pipe working applications

The B&B Six-foot folding pipe jack is ideal for pipe holding and leveling in high places. With a top height of 72" / 180 cm tall and a bottom adjustment of 39" / 99 cm, the Six-foot jack can be used for many applications.

The Six-foot jack is foldable and can be carried with ease, fitting into tight spaces when transporting. The height adjustment is performed with a locking tube and 1½" ACME adjustment.

Specifications

- Height adjustment: 39" - 72" / 99 - 180 cm
- Weight capacity: 1,000 lbs. / 450 kg
- Extra wide 38" footprint increases stability.
- Lock washer can be fastened to base for safety.
- 1½" ACME-thread adjustment.
- Folding design allows easy access into tight work spaces.
- Bottom T-handle locks folding base into fixed position.
- Pipe diameter: 1" - 12"



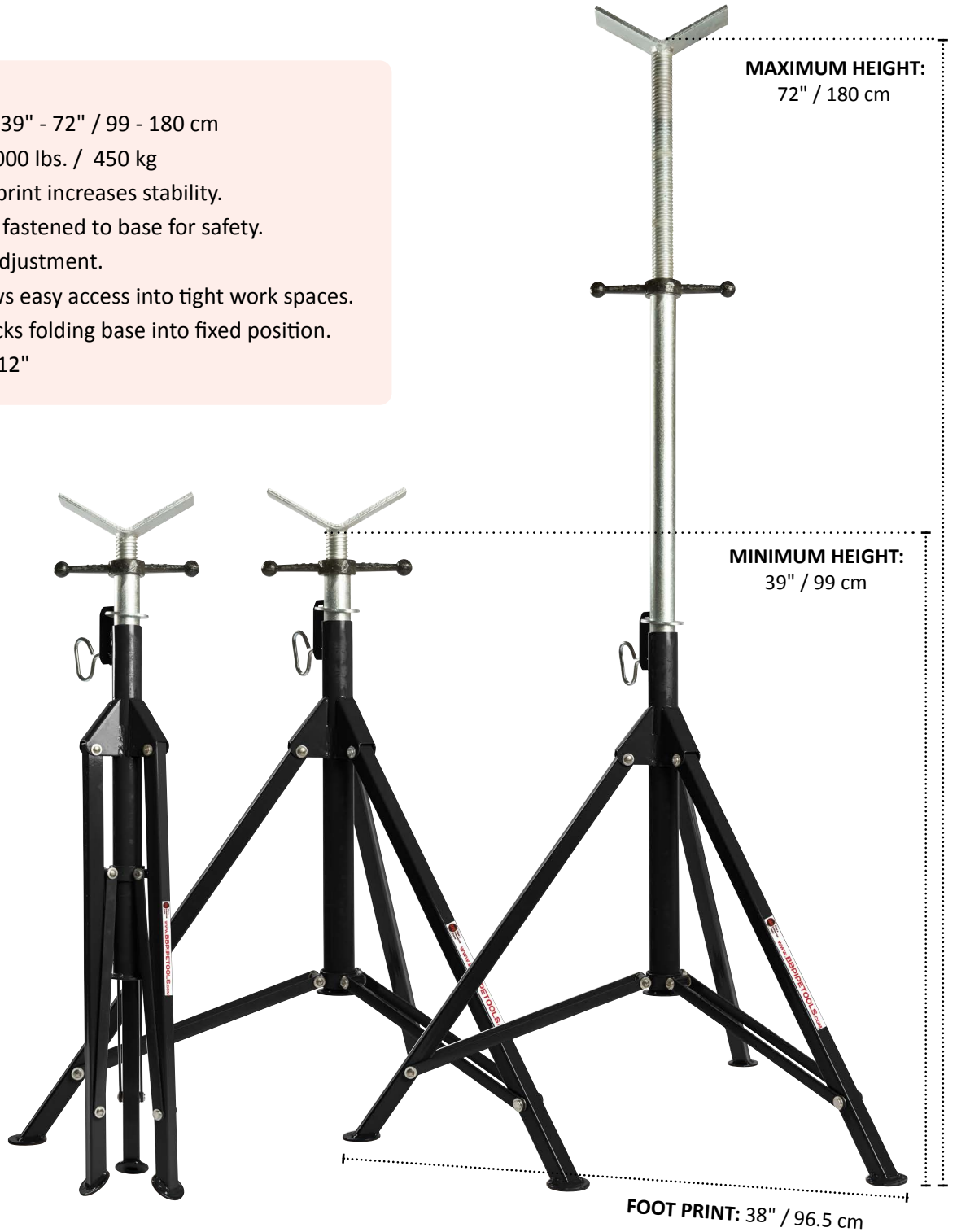
90060 - Steel wheel head



90032 - Phenolic wheel head



90000 - Ball transfer head



MAXIMUM HEIGHT:
72" / 180 cm

MINIMUM HEIGHT:
39" / 99 cm

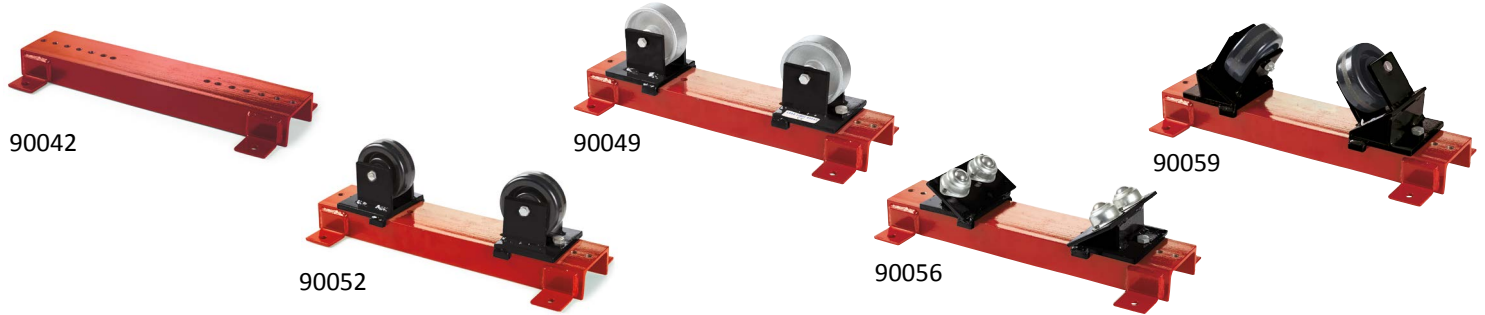
FOOT PRINT: 38" / 96.5 cm

OLD PART NO	NEW PART NO	DESCRIPTION	WEIGHT CAPACITY	WEIGHT	ADJUSTMENT HEIGHT	FOOTPRINT
HPS600	3610	Six foot folding pipe jack with V-head	1,000 lbs. / 450 kg	45 lbs. / 20.00 kg	39" - 72" / 99 - 182 cm	38" / 96.5 cm

ROLLER STAND (HEAVY DUTY)

Floor or bench mountable pipe trestles

These heavy duty stands are designed to be either floor or bench mounted. Available with 4 adjustable head styles to suit pipes from 4 - 48" / 100 - 1,220 mm.



The above part numbers are for wheel heads only. Base (90042) not included.

OLD PART NO	NEW PART NO	DESCRIPTION	WEIGHT CAPACITY		PIPE DIAMETER CAPACITY		UNIT WEIGHT	
RPS500	90042	Base unit only	5,290 lbs.	2,400 kg	4" - 48"	100 - 1,220 mm	13 lbs.	5.80 kg
SWH500	90049	Steel wheel heads (pair)	5,290 lbs.	2,400 kg	4" - 48"	100 - 1,220 mm	8 lbs.	3.50 kg
* SWH500SS	* 90050	Stainless steel wheel heads (pair)	5,290 lbs.	2,400 kg	4" - 48"	100 - 1,220 mm	8 lbs.	3.50 kg
* NWH500	* 90052	Phenolic wheel heads (pair)	1,000 lbs.	450 kg	4" - 48"	100 - 1,220 mm	5 lbs.	2.20 kg
* BTH500SS	* 90056	Stainless steel ball transfer heads (pair)	1,000 lbs.	450 kg	4" - 48"	100 - 1,220 mm	8 lbs.	3.50 kg
S/FTR500	90057	Steel feed through roller (pair)	5,290 lbs.	2,400 kg	4" - 48"	100 - 1,220 mm	8 lbs.	3.50 kg
* SS/FTR500	* 90058	Stainless steel feed through roller (pair)	5,290 lbs.	2,400 kg	4" - 48"	100 - 1,220 mm	8 lbs.	3.50 kg
* N/FTR500	* 90059	Nylon feed through roller head (pair)	1,000 lbs.	450 kg	4" - 48"	100 - 1,220 mm	7 lbs.	3.00 kg


* Suitable for stainless steel

QUICK CHANGE ROLLERS

Rapid, self centering pipe trestles


This quick change roller stand is the top part of the popular duo pipe stand and is suitable to be floor or bench mounted. Available with 2 adjustable head styles to suit pipes from 2" - 48" / 50 - 1,220 mm.

DESCRIPTION: Quick change roller (base unit only)




OLD PART NO.	NEW PART NO	LOAD CAPACITY		WEIGHT	
QCR501	90063	5,290 lbs.	2,400 kg	13 lbs.	5.90 kg

DESCRIPTION: Quick change steel/stainless steel wheel heads (pair)




OLD PART NO.	NEW PART NO	LOAD CAPACITY		WEIGHT	
SWH200	90065	5,290 lbs.	2,400 kg	6 lbs.	3.00 kg
* SWH200SS	* 90066	5,290 lbs.	2,400 kg	6 lbs.	3.00 kg

DESCRIPTION: Quick change phenolic wheel heads (pair)



OLD PART NO.	NEW PART NO	LOAD CAPACITY		WEIGHT	
* NWH200	* 90067	1,000 lbs.	450 kg	5 lbs.	2.20 kg

DESCRIPTION: Quick change stainless steel ball transfer heads (pair)



OLD PART NO	NEW PART NO	LOAD CAPACITY		WEIGHT	
* BTH200SS	* 90068	3,197 lbs.	1,450 kg	6 lbs.	3.00 kg

* Suitable for stainless steel

UNO PIPE JACK STAND

Specialist pipe stand for low level and tight access



The UNO pipe jack stand is a basic single tubed pipe stand, simple to use and easy to set-up.

Popular for tight access jobs in power stations, submarines, refineries, etc.

A favourite for low level work in all fab shops.

Available in 4 standard heights.

Roller heads can also be fitted to the V-head of the UNO pipe jack stand to suit varying applications.



90060 - Steel wheel head



90032 - Phenolic wheel head



90000 - Ball transfer head

PART NO	DESCRIPTION	MIN/MAX HEIGHT		LOAD CAPACITY		PIPE SIZE
UPS01	Uno pipe jack stand - size 1 (base only)	7" - 10.2"	175 - 260 mm	1,000 lbs.	450 kg	up to 12"
UPS02	Uno pipe jack stand - size 2 (base only)	10.2" - 15.2"	260 - 385 mm	1,000 lbs.	450 kg	up to 12"
UPS03	Uno pipe jack stand - size 3 (base only)	15.2" - 20"	385 - 510 mm	1,000 lbs.	450 kg	up to 12"
UPS04	Uno pipe jack stand - size 4 (base only)	20" - 25"	510 - 635 mm	1,000 lbs.	450 kg	up to 12"

We can manufacture to any height with 5" / 125mm range

TRI-STAND CHAIN VICE

The B&B Tri-stand chain vice is a proven design used on construction sites around the globe.



Specifications

- Durable cast aluminium head balances lightweight and durability.
- Heavy duty hold down tightening device with replaceable jaw.
- Folding legs with chain lock.
- Leg bracing doubles as a lipped shelf for holding additional tooling and machines.
- Up to 6" pipe capacity
- Boxed and fully assembled, ready for immediate use. (box dimensions: 46" x 18" x 16")
- Heavy duty jaws
- 55" width x 35" height (working dimensions)
- 1,000 lbs. / 450 kg capacity

OLD PART NO	NEW PART NO	DESCRIPTION	SHIPPING WEIGHT	
TCVS6	6100	Tri-stand chain vice - up to 6" pipe diameter capacity	42 lbs.	19.00 kg
PCV6	90041	Pipe chain vice clamp - up to 6" pipe diameter capacity	11 lbs.	5.00 kg



**Pipe &
Industrial
Tools™**

MEGA ROLLERS AND STANDS



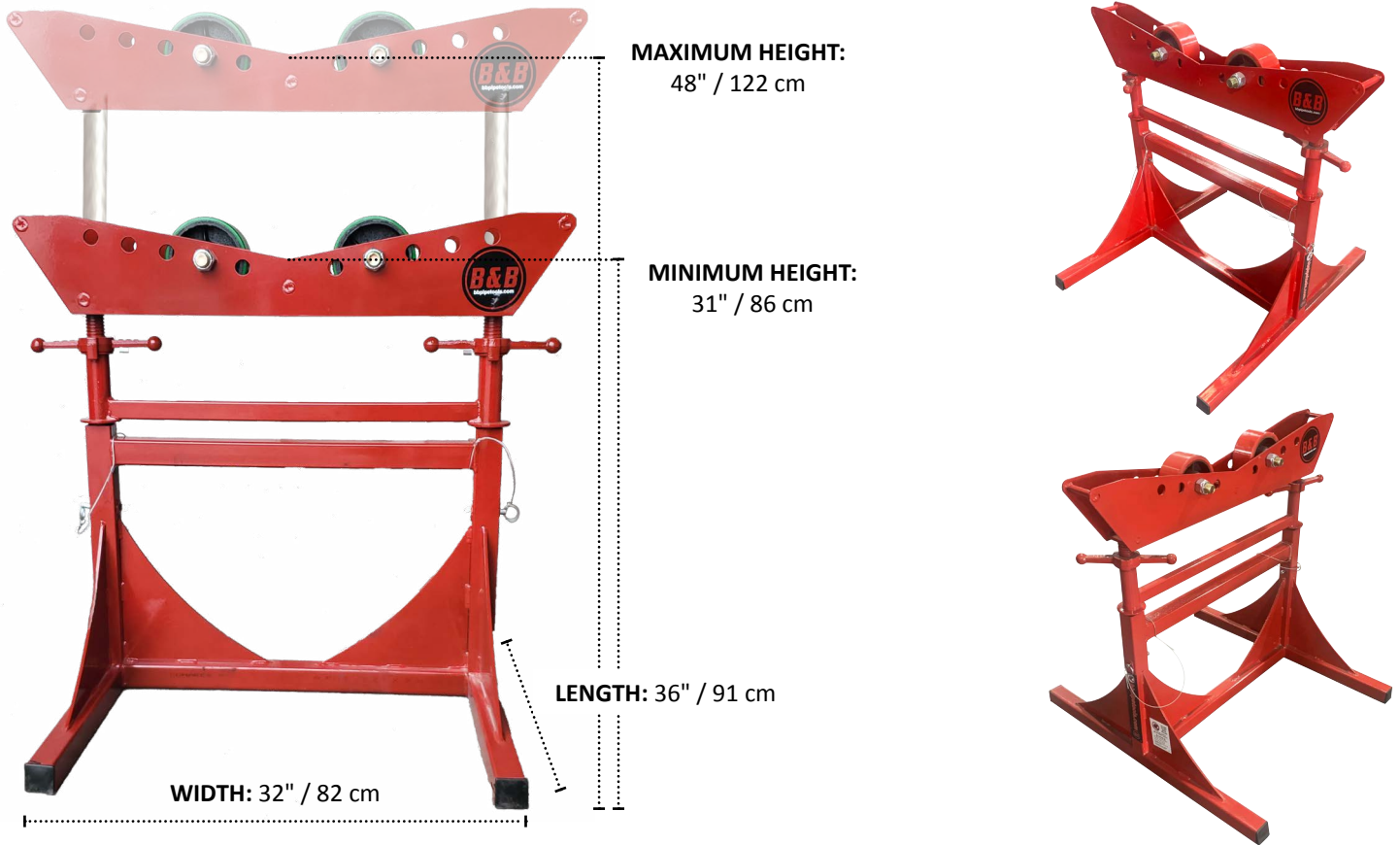
MEGA ROLLER STAND - 6,000 lbs. 3 US TON

The B&B mega roller (6,000 lbs. / 2,721 kg) is a high capacity pipe roller designed for heavy duty job-site use.

Its oversized 6" x 3" wheels have an urethane over steel design, offering numerous advantages: they allow ultra smooth pipe rotation via heavy duty sealed bearings, for both steel, stainless steel and exotic alloys pipe. The unique head design also allows the removal of the wheels, transforming to a V-head stand restricting pipe rotation.

The robust construction, with its twin solid ACME rods, allows to raise and lower the headstock and wheels for precise fit-ups even under load.

All mega rollers are powder coated, have quick release axle pins, and are modular allowing additional feed wheels and casters for mega movement.



Specifications

- Weight capacity: 6,000 lbs. / 2,721 kg
- Pipe capacity: 4" - 48" / 10 - 121 cm
- Working height: 31" - 48" / 86 - 122 cm
- 6" x 3" heavy duty urethane over steel wheels with sealed bearings for smooth pipe rotation.
- Contamination free wheels are ideal for steel and exotic pipe fabrication.
- Heavy gauge steel construction throughout. These mega rollers are made for years of job-site abuse.
- Powder coated safety red for high visibility.
- Expanded foot print at 36" x 32" / 91 x 82 cm increases pipe stability.
- Modular design allows caster and feed roller additions.

OLD PART NO	NEW PART NO	DESCRIPTION	WEIGHT CAPACITY		PIPE DIAMETER CAPACITY		UNIT WEIGHT		FOOTPRINT		STANDARD HEIGHT ADJUSTMENT	
MPS3000	3807	Mega Roller Tall - 6,000 lbs	6,000 lbs.	2,721 kg	4" - 48"	10 - 121 cm	118 lbs.	48.00 kg	36" x 32"	91 x 81 cm	34" - 48"	86 - 121 cm

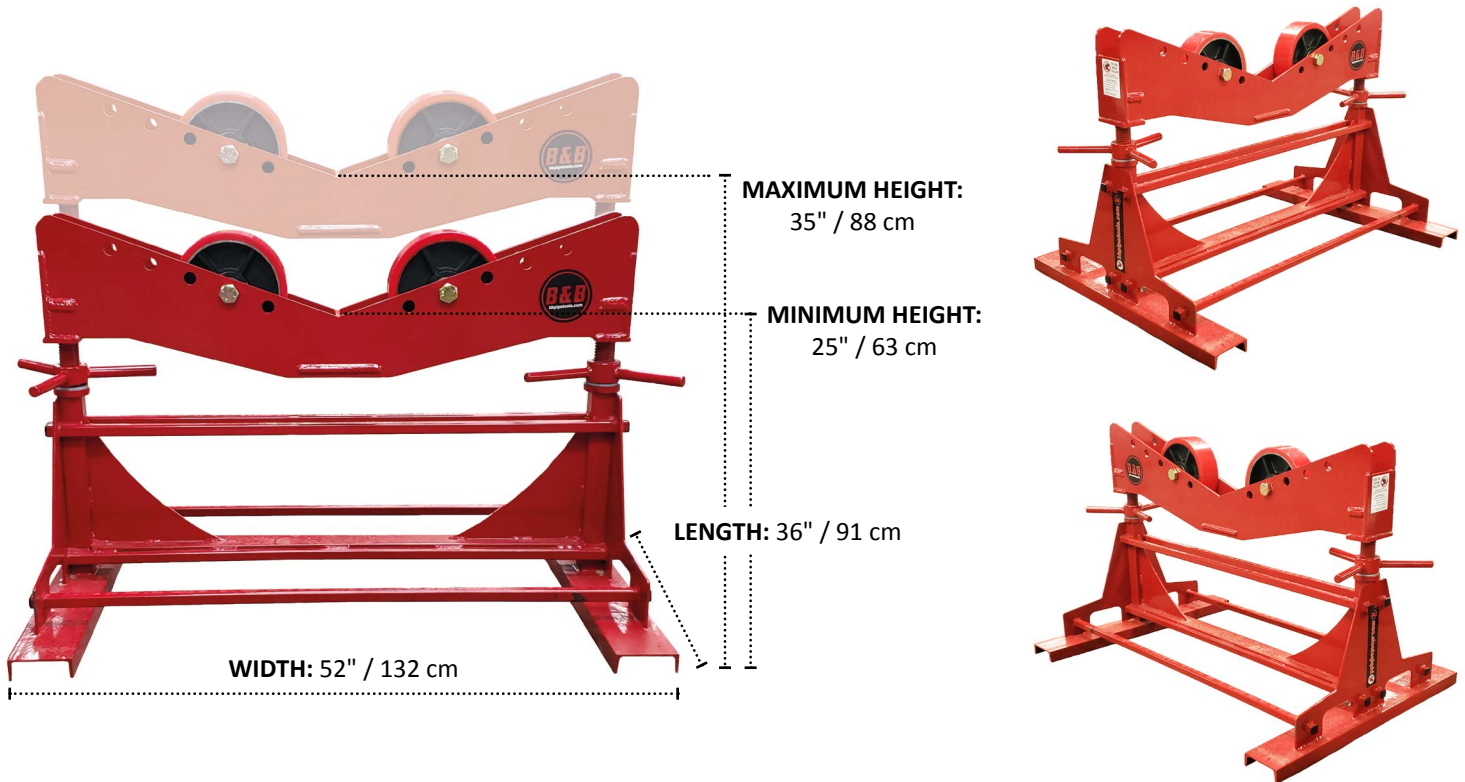
MEGA ROLLER STAND - 10,000 lbs. 5 US TON

The B&B mega roller (10,000 lbs. / 4,535 kg) is a high capacity pipe roller designed for heavy duty job-site use.

Its oversized 10" x 3" wheels have an urethane over steel design, offering numerous advantages: they allow ultra smooth pipe rotation via heavy duty sealed bearings, for both steel, stainless steel and exotic alloys pipe. The unique head design also allows the removal of the wheels, transforming to a V-head stand restricting pipe rotation.

The robust construction, with its twin solid ACME rods, allows to raise and lower the headstock and wheels for precise fit-ups even under load.

All mega rollers are powder coated, have quick release axle pins, and are modular allowing additional feed wheels and casters for mega movement.



Specifications

- Weight capacity: 10,000 lbs. / 4,535 kg
- Pipe capacity: 4" - 60" / 10 - 152 cm
- Working height: 25" - 35" / 63 - 88 cm
- 10" x 3" heavy duty urethane over steel wheels with sealed bearings for smooth pipe rotation.
- Contamination free wheels are ideal for steel and exotic pipe fabrication.
- Heavy gauge steel construction throughout. These mega rollers are made for years of job-site abuse.
- Powder coated safety red for high visibility.
- Expanded foot print at 36" x 52" / 91 x 132 cm increases pipe stability.
- Modular design allows caster and feed roller additions.
- Four side fork lift access.

OLD PART NO	NEW PART NO	DESCRIPTION	WEIGHT CAPACITY		PIPE DIAMETER CAPACITY		UNIT WEIGHT		FOOTPRINT		STANDARD HEIGHT ADJUSTMENT	
MP55000	3802	Mega Roller - 10,000 lbs.	10,000 lbs.	4,535 kg	4" - 60"	10 - 152 cm	263 lbs.	120 kg	36" x 52"	91 x 132 cm	25" - 35"	63.5 - 89 cm

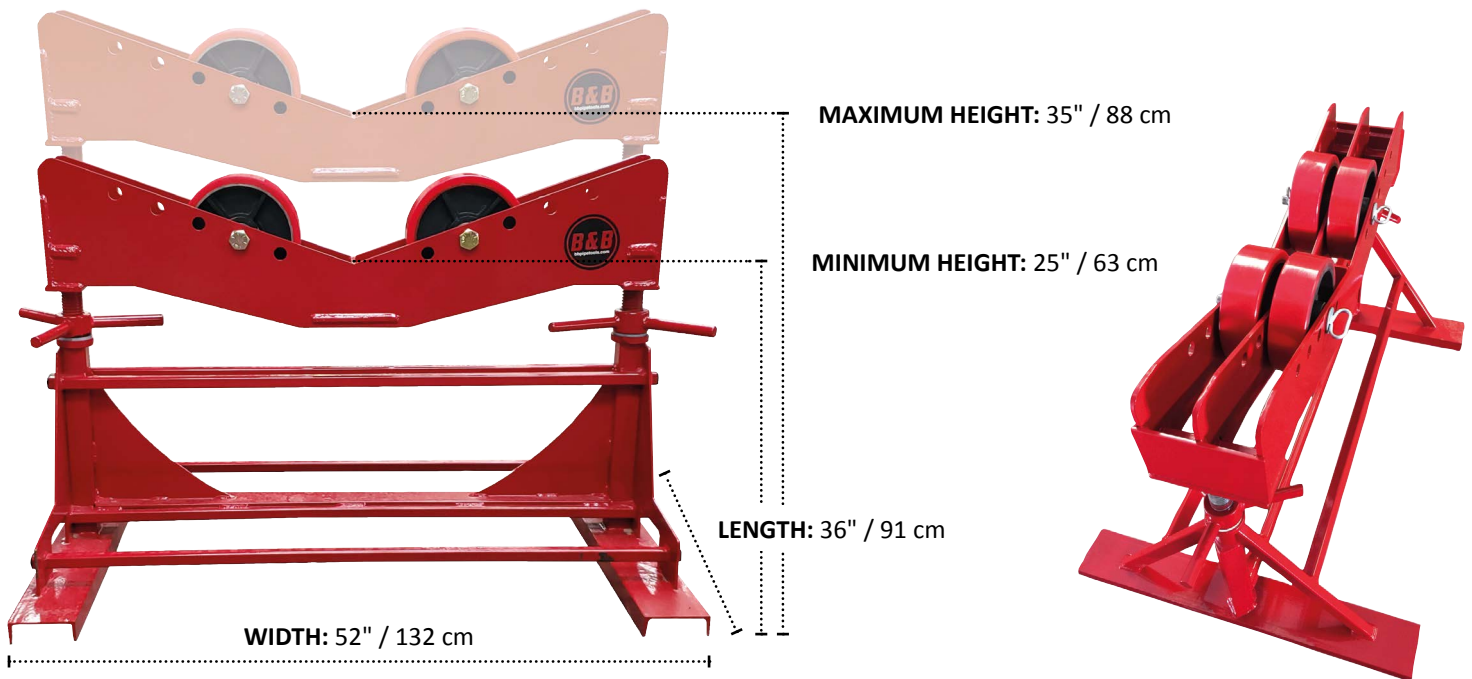
MEGA ROLLER STAND - 15,000 lbs. 7.5 US TON

The B&B mega roller (15,000 lbs. / 6,803 kg) is a high capacity pipe roller designed for heavy duty job-site use. This mega roller is built on the same platform as the 10,000 lbs. roller, but has an increased headstock width and two additional wheels added.

Its oversized 10" x 3" wheels have an urethane over steel design, offering numerous advantages: they allow ultra smooth pipe rotation via heavy duty sealed bearings, for both steel, stainless steel and exotic alloys pipe. The unique head design also allows the removal of the wheels, transforming to a V-head stand restricting pipe rotation.

The robust construction, with its twin solid ACME rods, allows to raise and lower the headstock and wheels for precise fit-ups even under load.

All mega rollers are powder coated, have quick release axle pins, and are modular allowing additional feed wheels and casters for mega movement.



Specifications

- Weight capacity: 15,000 lbs. / 6,803 kg
- Pipe capacity: 4" - 60" / 10 - 152 cm
- Working height: 25" - 35" / 63 - 88 cm
- Four 10" x 3" heavy duty urethane over steel wheels with sealed bearings for smooth pipe rotation.
- Contamination free wheels are ideal for steel and exotic pipe fabrication.
- Heavy gauge steel construction throughout. These mega rollers are made for years of job-site abuse.
- Powder coated safety red for high visibility.
- Expanded foot print at 36" x 52" / 91 x 132 cm increases pipe stability.
- Modular design allows caster and feed roller additions.
- Four side fork lift access.

OLD PART NO	NEW PART NO	DESCRIPTION	WEIGHT CAPACITY		PIPE DIAMETER CAPACITY		UNIT WEIGHT		FOOTPRINT		STANDARD HEIGHT ADJUSTMENT	
MPS8000	3808	Mega Roller - 15,000 lbs.	15,000 lbs.	6,803 kg	4" - 60"	10 - 152 cm	350 lbs.	158.7 kg	36" x 52"	91 x 132 cm	25" - 35"	63.5 - 89 cm

MATERIAL HANDLING EQUIPMENT



PIPE CART

The B&B Pipe cart is a six wheeled, low height, narrow width cart that is strong enough to carry 2,000 lbs. / 910 kg, but agile enough to turn and fit through doorways with ease.

The push handles and V-block can be unassembled and stored in seconds when not in use.

If you remove the V-block attachment from the cart you have a 2,000 lbs. / 910 kg cart capable of moving just about anything within rated capacity.

The carts can be stacked for shipment and storage, and the casters ship assembled to the cart ready for use.



PART NO 2015-6F



2,000 lbs. / 910 kg capacity!

HEIGHT: 20" / 51 cm

LENGTH: 57" / 145 cm

WIDTH: 34" / 86 cm

Specifications

- Transports pipe up to 24 foot / 750 cm in length.
- Pipe capacity: up to 36"
- 6 wheels ideal for workshop transportation
- Removable V for squares and flats.
- Removable handles for stacking and storage.



PART NO 2015-6F - Folds and stacks

OLD PART NO	NEW PART NO	DESCRIPTION	WEIGHT CAPACITY		PIPE DIAMETER CAPACITY	SHIPPING WEIGHT		FOOTPRINT	
PC1	2015-6F	Pipe cart with floor	2,000 lbs.	910 kg	up to 36" diameter pipe	185 lbs.	84 kg	57" x 34" x 20"	145 x 86 x 51 cm

BABY PIPE BUGGY



The B&B Baby pipe buggy is designed to help move pipe, fittings and other items with ease. Great for use in construction projects around the world, the B&B Baby pipe buggy ships in a cardboard box with 5 minute assembly of wheels and handle.

16" tires can move up to 1,000 lbs. / 453 kg payload and up to 12" diameter pipe.

The B&B Baby pipe buggy is shipped with a hold down strap.

Specifications

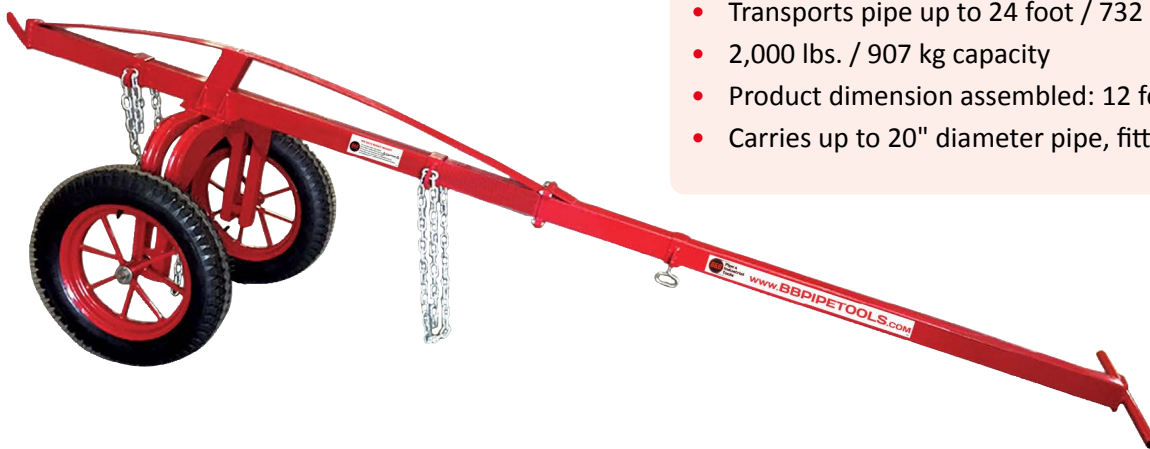
- Transports pipe up to 20 foot / 610 cm in length
- 1,000 lbs. / 453 kg capacity
- Carries up to 12" diameter pipe, fittings, packages, and more
- Comes with hold down strap

Note: Flat free tires are standard.

OLD PART NO	NEW PART NO	DESCRIPTION	WEIGHT CAPACITY		PIPE DIAMETER CAPACITY	SHIPPING WEIGHT		FOOTPRINT	
PB1	2013	Baby pipe buggy	1,000 lbs.	453 kg	up to 12" diameter pipe	118 lbs.	53 kg	28" x 28" x 21"	71 x 71 x 53 cm

BIGGY PIPE BUGGY

The B&B Biggy pipe buggy allows one man to move up to 24 foot / 732 cm long pipe and up to 2,000 lbs. / 907 kg of weight unassisted. The B&B Biggy pipe buggy ships unassembled in a wooden crate for ease of shipment and can be assembled in less than 15 minutes.



Specifications

- Transports pipe up to 24 foot / 732 cm
- 2,000 lbs. / 907 kg capacity
- Product dimension assembled: 12 feet in length x 35" width
- Carries up to 20" diameter pipe, fittings, boxes and more

OLD PART NO	NEW PART NO	DESCRIPTION	WEIGHT CAPACITY		PIPE DIAMETER CAPACITY	SHIPPING WEIGHT		FOOTPRINT	
PD1	2014	Biggy pipe buggy	2,000 lbs.	907 kg	up to 20" diameter pipe	260 lbs.	120 kg	81" x 31" x 16"	205 x 78 x 40 cm

NOTES

A series of horizontal dotted lines for taking notes.



Customer service

We work extremely hard supporting and training our team of employees and network of partners and distributors to ensure that from The S.F.E. Group you always receive the:

- Fastest response times
- Quickest delivery times
- Most knowledgeable and accurate advice
- Committed after sales support



Level of stock

S.F.E. Group carry an unrivalled stock level, meaning no matter how large your order we expect to offer you the fastest delivery time available worldwide.

Price

You will find our pricing to be very competitive. Give us an opportunity to quote your next project and we are confident you will be pleased! For your convenience we offer our products in the three major currencies: US Dollar, Euro and GB Pound.



Research and development

Technology is always improving. At S.F.E. Group we firmly intend to move with the times and to be the innovators in our industry with a dedicated team of designers and technicians devoted to improving our existing products as well as innovating the next generation of pipework machinery and tools. All user feedback is passed onto the R&D department to ensure our machines are developed to meet all end user needs. We often hold meetings with customers to ensure the package provided meets all their requirements including custom made machines.



Production, assembly and quality control

S.F.E. Group is proud to offer the highest quality of components manufactured wholly in Europe/USA. All our machines are assembled in our facilities and undergo vigorous testing and quality control, which is backed by our products being CE Certified, having Certificates of Conformity, Certificates of Origin and our company being ISO9001 accredited.



Demonstrations, training and exhibitions

We love to show off our products unrivalled performance and are always happy to carry out demonstrations either in our showroom facilities or at your site. In addition we understand the importance of the correct operation of our machinery and tools, so also offer training packages in our training facilities or at your site ensuring safe, efficient and accurate operation. We also participate in all the relevant world wide exhibitions. We also have extremely detailed user manuals and instructional videos.



Rental division

The S.F.E. Group operates a full, worldwide hire and rental service in cooperation with and supported by its selected and specialized rental partners. S.F.E. Group continuously keeps expanding its rental activities, rental fleet and network and prides itself keeping its renting equipment up to date in order to provide the best possible quality, performance and reliability. S.F.E. Group invites you to share your rental enquiry and will tailor the matching solution to your needs.

**Please contact your local S.F.E. Group branch for all enquiries.
Details of which can be found on the back cover of this publication.**



SPECIALIZED FABRICATION EQUIPMENT GROUP

Global Locations:



UNITED STATES HEAD OFFICE - HOUSTON

SPECIALIZED FABRICATION EQUIPMENT GROUP

4433 South Drive,
Houston,
Texas 77053, USA

Tel: +1 713 747 8502

E-mail: sales@sfe-brands.com

INTERNATIONAL HEAD OFFICE - FRANCE

SPECIALIZED FABRICATION EQUIPMENT GROUP

330B Route de Portes Les Valence,
ZI les Bosses,
26800 Etoile-sur-Rhône, France

Tel: + 33 (0) 475 575 070

E-mail: sales-int@sfe-brands.com

SFE UNITED KINGDOM

SPECIALIZED FABRICATION EQUIPMENT GROUP

Unit 15 & 16 Grendon Industrial Estate,
Grendon Underwood, Aylesbury,
Buckinghamshire, HP18 0QX England

Tel: +44 (0)1869 324 144

E-mail: sales-uk@sfe-brands.com

SFE GERMANY

SPECIALIZED FABRICATION EQUIPMENT GROUP

Ostmarkstrasse 15,
76437 Rastatt,
Germany

Tel: +49 (0)7222 9355100

E-mail: sales-germany@sfe-brands.com

SFE KINGDOM OF SAUDI ARABIA

SPECIALIZED FABRICATION EQUIPMENT GROUP

Warehouse No: EM16-10, Air Base Determinant,
Industrial supply scheme, Ash Shulah, Dammam
34264, Saudi Arabia

Tel: + 966 50 515 8196

E-mail: sales-ksa@sfe-brands.com

SFE MIDDLE EAST

SPECIALIZED FABRICATION EQUIPMENT GROUP

Shams Freezone
Sharjah

United Arab Emirates

Tel: +971 (0)50 217 1376

E-mail: sales-me@sfe-brands.com

SFE INDIA

SPECIALIZED FABRICATION EQUIPMENT GROUP

Plot No. PAP 3, D 3 Block,
Chinchwad, Pune 411 019

Mob: +91 90 1102 4332

Mob: +91 95 5258 4361

E-mail: sales-india@sfe-brands.com

SFE LATIN AMERICA

SPECIALIZED FABRICATION EQUIPMENT GROUP

4433 South Drive,
Houston,
Texas 77053, USA

Tel: +1 713 747 8502

E-mail: sales-latam@sfe-brands.com

SFE SOUTH KOREA

SPECIALIZED FABRICATION EQUIPMENT GROUP

102 - 1301 Bucheon Technopark III
421 - 742 Gyeonggi-do-seoul, Taehan-min'guk
South Korea

Tel: +82 32 624 2870

E-mail: sales-asia@sfe-brands.com

SFE VIETNAM

SPECIALIZED FABRICATION EQUIPMENT GROUP

P1.2.13 Sky-Linked Villa, Diamond Alnata,
Celadoncity, 89 Đường N1, P. Sơn Kỳ,
Q. Tân Phú, TpHCM.

Tel: +84 91 951 70 18

E-mail: sales-vietnam@sfe-brands.com

SFE CHINA

SPECIALIZED FABRICATION EQUIPMENT GROUP

1208, 12F, #D 7001 Zhongchun RD
Minhang District
Shanghai, China

Tel: +86 215 429 1891

E-mail: sales-china@sfe-brands.com

Copyright © 2023 Specialized Fabrication Equipment Group, All rights reserved.

OUR BRANDS

